

CONTENDER 25 T — CONTENDER



Builder: CONTENDER

Year Built: 2014

Model: Sport Fisherman

Price: PRICE ON APPLICATION

Location: United States

LOA: 25' 0" (7.62m)

Beam: 8' 6" (2.59m)

Min Draft: 1' 6" (0.46m)

Our experienced yacht broker, Andrey Shestakov, will help you choose and buy a yacht that best suits your needs **Contender 25 T — CONTENDER** from our catalogue. Presently, at Shestakov Yacht Sales Inc., we have a wide variety of yachts available on our sale's list. We also work in close contact with all the big yacht manufacturers from all over the world.

If you would like to buy a yacht **Contender 25 T — CONTENDER** or would like help answering any questions concerning purchasing, selling or chartering a yacht, please call **+1(954)274-4435**

TABLE OF CONTENTS

TABLE OF CONTENTS	2
SPECIFICATIONS	3
Basic Information	3
Dimensions	3
Speed, Capacities and Weight	3
Hull and Deck Information	3
Engine Information	3
DETAILED INFORMATION	4
Manufacturer Provided Description	4
Standard Features	4
Options selected	5
Exclusions	5
Disclaimer	5
PHOTOS	7
Manufacturer Provided Image: Manufacturer Provided Image	7
CONTACTS	8
Contact details	8
Telephones	8
Office hours	8
Address	8

SPECIFICATIONS

Basic Information

Category: Sport Fisherman

Sub Category: Center Console

Model Year: 2014

Year Built: 2014

Country: United States

Dimensions

LOA: 25' 0" (7.62m)

Beam: 8' 6" (2.59m)

Min Draft: 1' 6" (0.46m)

Speed, Capacities and Weight

Displacement: 4200 Pounds

Fuel Capacity: 175 Gallons

Hull and Deck Information

Hull Material: Fiberglass

Engine Information

Engines: 2

Manufacturer: Yamaha

Engine Type: Outboard

DETAILED INFORMATION

Manufacturer Provided Description

If you were going to create a sign to advertise our 25 Tournament it might be the following: Fish beware. Then again, this boat is equally adept at taking you out for a day of diving. Truth be told, the 25 Tournament is simply a great all-around boat. Rigged with single or twin Yamaha outboards you'll get to where you want to go quickly and efficiently. With Contender's 24.5-degree offshore hull design, she'll make quick work of any chop with a soft, dry ride. Amenities include recessed bow rail, forward recessed gunwale rod holders, 50 gallon livewell and walk through transom. For fishing, cruising or just for fun, the 25 Tournament will suit, and surpass, all of your needs.

Standard Features

Hull & Deck

- Hand-Laid Fiberglass Throughout High Tech Construction Using Multi-Directional Fabric & Foam Cored Solid Glass Stringer System
- Foam Floatation
- Integral Dive Platform, Full Transom & Transom Door
- Self-Bailing Cockpit
- Non-Skid Cockpit Sole & Deck
- Heavy Duty Rub Rail
- Choice of Hull & Deck Gelcoat Colors
- Hand-Painted Boot & Pin Stripe

Cockpit Sole & Deck Compartments

- Forward Anchor Locker w/Storage
- (1) 140 Gal. Fully Lined & Insulated Forward Fish Box
- (2) 76 Gal. Fully Lined & Insulated Forward Aft Fish Boxes (Port & Strbd)
- (2) Forward Under Deck Rod Lockers (Port & Strbd)
- Center Storage locker Forward of Console
- (1) 50 Gal. Round Livewells, Aft Above Deck (Excludes Plumbing)

Console

- Flush face
- Lockable Storage Under Console

Mechanical

- International Lighting

- Recessed Pop-Up Bow Light
- Hydraulic Steering w/Custom Steering Wheel
- Recessed Trim Tabs
- Waterproof Switches & Breaker Panel w/Indicator Lights
- 2000 GPH Auto/Manual Bilge Pump
- Compass

Hardware

- Chrome on Bronze or Stainless Steel Hardware
- Heavy Duty Recessed Bow Lifting Ring w/Cleat (Pop-Up)
- (2) Heavy Duty Stern Lifting Rings
- (2) Pop-up Stern Cleats
- (2) 8" Spring Line Cleats - Midship
- (4) Lee's Flush Mount Gunnel Rod Holders
- Recessed Bow Handrail

Options selected

- Additional battery w/ switch, 3 total
- Split door console w/ forward cooler & cushion
- T-Top with Sport Upgrade, 4 rod holders on back - Ice Blue canvas
- Gemlux Flush mount scoop - stainless
- Live well clear lid w/ light
- 4 additional rod holders in gunnels, 8 total
- 6 Console rod holders, vertical
- Stern pop-up cleats
- Garelick Telescoping boarding ladder
- Saltwater wash down
- Multicolor under gunnel lights
- 2nd Hydraulic steering cylinder for twin engines
- Power assisted steering
- Stainless helm wheel w/ knob & tilt
- Transom bench seat, fold down w/ removable back rest
- Full coaming bolster around entire boat

Exclusions

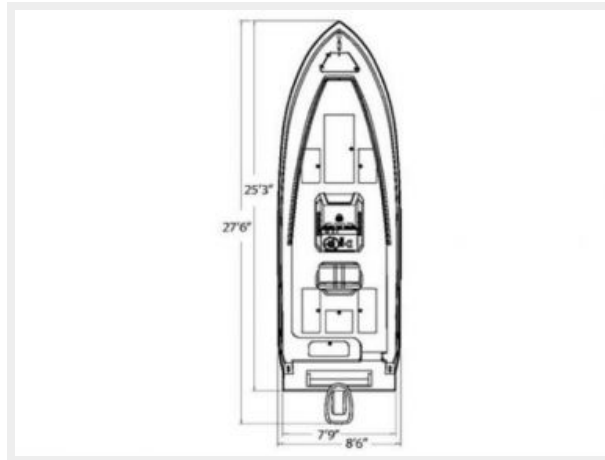
Owner's personal belongings.

Disclaimer

The Company offers the details of this vessel or yacht in good faith but cannot guarantee or warrant the accuracy of this information nor warrant the condition of the vessel. A buyer should instruct his representatives, agents, or his surveyors, to investigate such details as the buyer desires validated. This vessel or yacht is offered subject to prior sale, price change, or withdrawal without notice.

PHOTOS

Manufacturer Provided Image: Manufacturer Provided Image



CONTACTS

Andrey Shestakov, leading yacht broker of the sales department of Shestakov Yacht Sales Inc. Shestakov Yacht Sales Inc., the official representative of the Miami/Fort Lauderdale FL headquarters.

Contact details

Email: andrey@shestakovyachtsales.com

Web: shestakovyachtsales.com/en/

Telephones

USA: +1(954)274-4435

Office hours

Monday – Saturday: **9:00 - 21:00** EDT

Sunday: **closed**

Address



Harbour Towne Marina, 850 NE 3rd St,
STE 213, Dania, FL 33004