

JAK — J BOATS



Builder: J BOATS

Year Built: 2006

Model: Racing Sailboat

Price: PRICE ON APPLICATION

Location: United Kingdom

LOA: 34' 6" (10.52m)

Beam: 10' 11" (3.33m)

Min Draft: 6' 5" (1.96m)

Cruise Speed: 6 Kts. (7 MPH)

Our experienced yacht broker, Andrey Shestakov, will help you choose and buy a yacht that best suits your needs **JAK — J BOATS** from our catalogue. Presently, at Shestakov Yacht Sales Inc., we have a wide variety of yachts available on our sale's list. We also work in close contact with all the big yacht manufacturers from all over the world.

If you would like to buy a yacht **JAK — J BOATS** or would like help answering any questions concerning purchasing, selling or chartering a yacht, please call **+1(954)274-4435**

TABLE OF CONTENTS

TABLE OF CONTENTS	2
SPECIFICATIONS	4
Overview	4
Basic Information	4
Dimensions	4
Speed, Capacities and Weight	4
Accommodations	4
Hull and Deck Information	5
Engine Information	5
DETAILED INFORMATION	6
Broker's Comments	6
Construction	6
Machinery	7
Electrical Systems	7
Plumbing Systems	8
Tankage	8
Navigation Equipment	8
Domestic Equipment	9
Accommodation	9
Deck Equipment	10
Exclusions	12
Disclaimer	12
PHOTOS	13
CONTACTS	16
Contact details	16
Telephones	16
Office hours	16
Address	16

SPECIFICATIONS

Overview

Lovely and simple sailing for a modest price. Quick and easy to shorthand, a true sailors yacht.

Basic Information

Category: Racing Sailboat

Model Year: 2006

Year Built: 2006

Country: United Kingdom

Dimensions

LOA: 34' 6" (10.52m)

LWL: 29' 5" (8.97m)

Beam: 10' 11" (3.33m)

Min Draft: 6' 5" (1.96m)

Speed, Capacities and Weight

Cruise Speed: 6 Kts. (7 MPH)

Cruise Speed Range: 120

Displacement: 7749.2485093 Pounds

Water Capacity: 13.2086026 Gallons

Fuel Capacity: 13.2086026 Gallons

Accommodations

Total Cabins: 1

Total Berths: 4

Total Heads: 1

Hull and Deck Information

Hull Material: GRP

Deck Material: GRP

Hull Finish: Plastic

Hull Designer: Johnstone

Engine Information

Engines: 1

Manufacturer: Volvo

Model: MD20

Engine Type: Inboard

Fuel Type: Diesel

DETAILED INFORMATION

Broker's Comments

The J/105 is a performance racer/cruiser which is ideal for fully crewed or short-handed sailing with her asymmetric spinnaker. This example has been used very lightly and is in immaculate condition. She has been professionally maintained.

Construction

RCD Status: The yacht conforms with the essential safety requirements of Directive 94/25EC (Recreational Craft Directive) and is categorised A – “Ocean” (or Cat B – whichever is appropriate)

Hull, Deck & Superstructure Construction:

- Lloyds approved, Baltek AL 600 CK 57 end grained balsa composite construction using biaxial and unidirectional glass with vinylester resin on the outer hull layer for ten year warranty against blisters.
- Patented SCRIMP resin infusion system moulding process for optimum laminate strength with 67-70% glass content in structural skins.
- Two tone deck with a high traction non-skid surface.
- White gelcoat; black boot top line – painted.
- Foredeck and helmsman's moulded toerails.
- GRP moulded structural bulkhead bonded to hull and deck as support for shroud chainplates.
- Heavy-duty GRP floor stringer grid infused into hull.

Keel & Rudder:

- Variable chord, high lift, lead keel (fin) bolted and epoxy bonded to deep moulded stub with sump.
- Balanced spade rudder construction using biaxial and unidirectional glass and large diameter anodized aluminium stock mounted in JP3 self-aligning bearings.

Machinery

Engine & Gearboxes:

- 1 x Volvo MD20

Performance:

- Cruising Speed: 6 knots.
- Cruising Range: 120nm.
- Fuel Consumption at Cruising Speed: 0.5l per nm.

Propulsion & Steering:

- Aluminium wheel (4.16') with natural leather grip on custom moulded pedestal with 5" compass, brake and stainless guard; wire/quadrant.
- Emergency tiller.
- Propeller shaft.
- P bracket.
- Folding propeller.
- Sound insulated engine compartment.
- Gori 2-bladed propeller.

Electrical Systems

Voltage Systems:

- Master switch panel with 4 x swiveling spot lights in saloon.

Battery Banks:

- 2 x Batteries in 2 x 12v banks of 100 amp hrs

Alternators:

- 50 AH alternator.

Other Electrical:

- Chainplates earth grounded to keel for protection from lightning.

Plumbing Systems

Fresh Water & Water Heating System:

- Manual water pressure system serving galley and heads compartments. · No water heating system installed.

Bilge Pumps:

- Manual bilge pump.
- Electric bilge pump.

Tankage

Fuel:

- Total capacity of 50 litres in 1 x aluminium fuel tank.

Fresh water:

- Total capacity of 50 litres in 1 x plastic water tank.

Navigation Equipment

- Silva speed, depth, wind, compass and 6 x displays.
- Icom 421 DSC VHF with Hawk antennae.
- Raymarine linear drive autopilot.
- Garmin 55 chart plotter.

- Radar reflector.

Domestic Equipment

Galley:

- 2-burner gas stove.
- Sink with drain and foot pumped fresh water.

Heads

- 1 x RM 69 manual WC.

Entertainment:

- Sony radio/CD player MEX DV1000 plus 4 x Sony marine speakers; 2 x in saloon and 2 x in cockpit.

Lighting:

- Fixed cabin light in head.
- Navigation Lights.
- 1 x swiveling spot in fore cabin.

Accommodation

Summary of Accommodation:

- Chart table on starboard against main bulkhead.
- Galley on port against main bulkhead with sink and storage cupboard.
- Twin forecabin berth. 2 x Settee berths.
- Bunk cushions.
- 1 x Aft quarter berth with light.

Deck Equipment

Rig:

- Harken MKIV furling system.
- 2nd spinnaker halyard with block.
- Sparcraft 7/8 fractional rig tapered aluminium mast with double aft swept spreaders.
- Genoa halyard.
- Spinnaker masthead halyard.
- Spinnaker fractional halyard.
- Main halyard.
- 2 x Reefing lines.
- Jib sheets.
- Spinnaker sheets.
- Spinnaker tack line.

Winches:

- 3 x Winch handles.

Sails (Dolphin):

- Code 2 asymmetric – 0.6oz.

Sails (GP):

- Kevlar main (2010).
- Kevlar jib (2010).
- Dacron code 4 jib.
- Code 2 spinnaker (2010).

- Storm jib – orange.

General:

- Bucket.

Anchoring & Mooring Equipment:

- Anchor, warp and chain.
- 4 x Fenders and mooring lines.
- 4 x Fenders.
- 2 x Mooring lines.

Covers, Canvas & Cushions:

- Main sail cover.
- Steering wheel cover..
- Sprayhood with removable sides.

Safety Equipment:

- Cat. 4 safety equipment – no lifejackets.
- Horseshoe buoy.
- First aid kit.
- Flare pack (expires 12/2016).
- 2 x Jackstays

Fire-fighting equipment:

- 2 x Fire extinguishers.

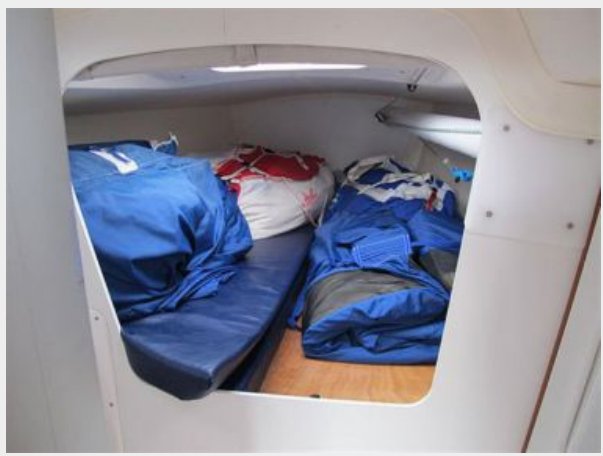
Exclusions

Owner's personal belongings.

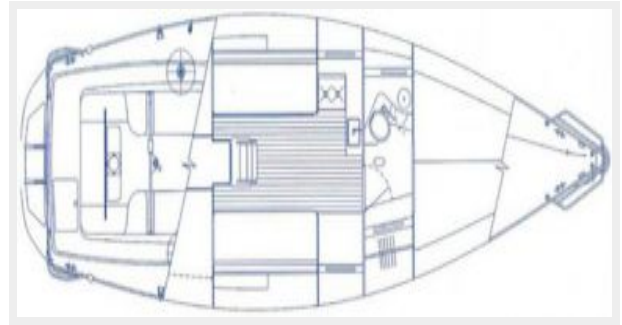
Disclaimer

The Company offers the details of this vessel or yacht in good faith but cannot guarantee or warrant the accuracy of this information nor warrant the condition of the vessel. A buyer should instruct his representatives, agents, or his surveyors, to investigate such details as the buyer desires validated. This vessel or yacht is offered subject to prior sale, price change, or withdrawal without notice.

PHOTOS







CONTACTS

Andrey Shestakov, leading yacht broker of the sales department of Shestakov Yacht Sales Inc. Shestakov Yacht Sales Inc., the official representative of the Miami/Fort Lauderdale FL headquarters.

Contact details

Email: andrey@shestakovyachtsales.com

Web: shestakovyachtsales.com/en/

Telephones

USA: +1(954)274-4435

Office hours

Monday – Saturday: **9:00 - 21:00** EDT

Sunday: **closed**

Address



Harbour Towne Marina, 850 NE 3rd St,
STE 213, Dania, FL 33004