

SUNSEEKER MANHATTAN 60 — SUNSEEKER



Builder: [SUNSEEKER](#)

Year Built: 2006

Model: Motor Yacht

Price: PRICE ON APPLICATION

Location: China

LOA: 62' 8" (19.10m)

Beam: 16' 5" (5.00m)

Max Draft: 4' 1" (1.24m)

Max Speed: 32 Kts. (37 MPH)

Our experienced yacht broker, Andrey Shestakov, will help you choose and buy a yacht that best suits your needs **Sunseeker Manhattan 60 — SUNSEEKER** from our catalogue. Presently, at **Shestakov Yacht Sales Inc.**, we have a wide variety of yachts available on our sale's list. We also work in close contact with all the big yacht manufacturers from all over the world.

If you would like to buy a yacht **Sunseeker Manhattan 60 — SUNSEEKER** or would like help answering any questions concerning purchasing, selling or chartering a yacht, please call **+1(954)274-4435**

TABLE OF CONTENTS

TABLE OF CONTENTS	2
SPECIFICATIONS	3
Overview	3
Basic Information	3
Dimensions	3
Speed, Capacities and Weight	3
Accommodations	3
Hull and Deck Information	4
Engine Information	4
PHOTOS	5
CONTACTS	11
Contact details	11
Telephones	11
Office hours	11
Address	11

SPECIFICATIONS

Overview

A wonderfully presented example of the Sunseeker Predator 60. This popular boat offers fantastic entertaining space both in the saloon, flybridge and the cockpit. She was intended for owner/operator use however her Galley Down option and space for a crew cabin makes her perfect for the Asian market. "We know of no other motoryacht design quite like this one" Boatest.com. The Gold Coast Mooring and Debenture is also available. Note: Price in USD is an approximate.

Basic Information

Category: Motor Yacht

Model Year: 2006

Year Built: 2006

Country: China

Dimensions

LOA: 62' 8" (19.10m)

Beam: 16' 5" (5.00m)

Max Draft: 4' 1" (1.24m)

Speed, Capacities and Weight

Max Speed: 32 Kts. (37 MPH)

Displacement: 68343.30122 Pounds

Water Capacity: 184.9204364 Gallons

Fuel Capacity: 792.516156 Gallons

Accommodations

Total Cabins: 3

Total Berths: 6

Sleeps: 6

Total Heads: 3

Hull and Deck Information

Hull Material: Fiberglass

Hull Color: White and Black

Engine Information

Engines: 2

Manufacturer: MAN

Engine Type: Inboard

Fuel Type: Diesel

PHOTOS

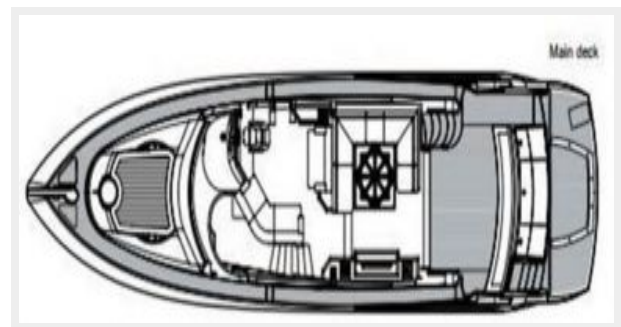












CONTACTS

Andrey Shestakov, leading yacht broker of the sales department of Shestakov Yacht Sales Inc. Shestakov Yacht Sales Inc., the official representative of the Miami/Fort Lauderdale FL headquarters.

Contact details

Email: andrey@shestakovyachtsales.com

Web: shestakovyachtsales.com/en/

Telephones

USA: +1(954)274-4435

Office hours

Monday – Saturday: **9:00 - 21:00** EDT

Sunday: **closed**

Address



Harbour Towne Marina, 850 NE 3rd St,
STE 213, Dania, FL 33004