

CISNE — NAUTOR'S SWAN



Builder: NAUTOR'S SWAN

Year Built: 1969

Model: Cruising Sailboat

Price: PRICE ON APPLICATION

Location: United Kingdom

LOA: 42' 9" (13.03m)

Beam: 11' 8" (3.56m)

Min Draft: 7' 1" (2.16m)

Cruise Speed: 8 Kts. (9 MPH)

Our experienced yacht broker, Andrey Shestakov, will help you choose and buy a yacht that best suits your needs **CISNE — NAUTOR'S SWAN** from our catalogue. Presently, at Shestakov Yacht Sales Inc., we have a wide variety of yachts available on our sale's list. We also work in close contact with all the big yacht manufacturers from all over the world.

If you would like to buy a yacht **CISNE — NAUTOR'S SWAN** or would like help answering any questions concerning purchasing, selling or chartering a yacht, please call **+1(954)274-4435**

TABLE OF CONTENTS

TABLE OF CONTENTS	2
SPECIFICATIONS	3
Overview	3
Basic Information	3
Dimensions	3
Speed, Capacities and Weight	3
Accommodations	3
Hull and Deck Information	3
Engine Information	4
DETAILED INFORMATION	5
Construction	5
Machinery	5
Electrical Systems	6
Plumbing Systems	7
Tankage	7
Navigation Equipment	7
Domestic Equipment	8
Accommodation	8
Deck Equipment	8
Exclusions	11
Disclaimer	11
PHOTOS	12
CONTACTS	18
Contact details	18
Telephones	18
Office hours	18
Address	18

SPECIFICATIONS

Overview

Excellent and competitive S&S Swan. Excellent engine, sails and services and exceptionally pretty to look at.

Basic Information

Category: Cruising Sailboat

Model Year: 1969

Year Built: 1969

Country: United Kingdom

Dimensions

LOA: 42' 9" (13.03m)

LWL: 31' 0" (9.45m)

Beam: 11' 8" (3.56m)

Min Draft: 7' 1" (2.16m)

Speed, Capacities and Weight

Cruise Speed: 8 Kts. (9 MPH)

Displacement: 19850.42207048 Pounds

Water Capacity: 47.55096936 Gallons

Fuel Capacity: 44.90924884 Gallons

Accommodations

Total Cabins: 3

Total Berths: 8

Total Heads: 1

Hull and Deck Information

Hull Material: GRP

Deck Material: GRP

Hull Finish: Stainless Steel

Hull Designer: Sparkman & Stephens

Engine Information

Engines: 1

Manufacturer: Lombardini

Model: LDW 1404M

Engine Type: Inboard

Fuel Type: Diesel

DETAILED INFORMATION

Construction

Overall Measured Length: 43'8" incl. 1'2" pulpit.

RCD Status: Our understanding is that the yacht is exempt from the essential safety requirements of Directive 94/25EC (Recreational Craft Directive) as she was built and placed into use within the EU prior to 1998.

Hull, Deck & Superstructure Construction:

- GRP sailing yacht SWAN 43 "CISNE", built in 1969.
- Headway approx. 17m.
- Built by Nautor Swan – Finland, designed by S&S.
- New teak deck (1992).
- GRP hull and GRP/teak superstructure.
- S-Shaped Sayula green hull.

Keel & Rudder:

- Fin keel.

Machinery

Engine & Gearboxes:

- 1 x Lombardini LDW 1404M 40Hp.
- Intercooling system.
- Mechanical gearbox
- Morse Gear Lever in Cockpit
- Engine Spares with Toolkit

Maintenance & Performance:

- Consumption: approx. 2.5 litres per hour.
- Speed: c. 8 knots.

Propulsion & Steering:

- Mechanical wheel steering and emergency tiller.
- Stainless steel propeller shaft.
- 2-bladed Max propeller.
- Raymarine ST6002 Autohelm

Electrical Systems

Voltage Systems:

- Electric circuit 12v/240v with outlets throughout the yacht.

Battery Banks:

- 2 x 180 Ah batteries.

Battery Chargers:

- Battery charger.

Alternators:

- 27.2 Kw on main engine

Shore Power:

- Shore power with 40m extra line.

Plumbing Systems

Fresh Water & Water Heating System:

- Manual and electric water pressure system.

Bilge Pumps:

- 2 x Manual bilge pumps.
- 2 x Electric bilge pumps.

Tankage

Fuel:

- Total capacity of 170 litres.

Fresh water:

- Total capacity of 180 litres in 2 x 90 litre stainless steel fuel tanks.

Navigation Equipment

- Raymarine RAY 55E VHF at Chart Table
- Sestrel Compass at Helm
- Garmin 3010C Chartplotter at Chart Table
- Garmin Echomap 70s at Helm
- Standard Horizon Handheld VHF
- 2 x B&G 20:20 at Mast
- Autohelm Digital Compass
- B&G Synchro wind direction at Helm
- Barometer in Saloon
- B&G FFD either side of companionway and one at Helm

Domestic Equipment

Galley:

- 12v refrigerator.
- 2 Burner Plastimo Pacific 3000 Oven
- Double Stainless Sink with overflow and sea water tap.

Heads/Showers:

- Jabsco Marine Heads and manual shower.

Heating & Ventilation:

- Webasto 3500 heating (2003).

Entertainment:

- Pioneer DEH-2000MP CD/Radio/MP3 Player.

Accommodation

Summary of Accommodation:

- Classic mahogany interior.
- 8 berths in 3 cabins.
- Headroom approx. 1.95m.

Deck Equipment

Rig:

- Sloop-rigged.
- Aluminium mast.
- Rod rigging.

-
- All Spectra halyards.
 - Rod backstay.
 - Adjustable inner forestay.
 - Harken system on mast.
 - Slab reefing.
 - Hydraulic Navtec backstay adjuster.
 - Easy kick boom vang.
 - 2 x Carbon spinnaker pole.

Winches:

- 2 x Lewmar 46 ST for Halyards / Secondary Winches
- 2 x Lewmar 56 ST for Halyards mounted forward
- 2 x Lewmar 56 ST Primary Winches
- Lewmar one touch locking winch handles

Sails:

Mainsails:

- North Dacron Mainsail in excellent condition
- 2012 North 3DL Mainsail in Excellent condition
- Storm Trysail

Genoas:

- 2014 North 3DL Taffeta 140% Genoa
- 2012 North 3DL #3 Genoa
- 2011 North 3DL Kevlar Heavy #1

-
- 2003 North 3DL Kevlar #2
 - North Dacron #4 working Jib
 - North Dacron Genoa with Hanks
 - Storm Jib

Spinnakers:

- 2014 North S2 Gold
- North 1.5oz Red
- North AP 1.3oz Blue
- North 0.6oz White

Anchoring & Mooring Equipment:

- 2 x Anchors with chain.
- Fenders.

Covers, Canvas & Cushions:

- Sail cover.

Safety Equipment:

- Liferaft.
- 8 x Life jackets.
- Life lines.
- Horsehoe Lifebuoy
- Safety Ladder
- First Aid Manual
- Emergency Antenna

-
- Radar Reflector
 - Emergency Nav Lights
 - Softwood Plugs
 - First Aid Kit
 - Foghorn
 - 2 x Waterproof Torches with spare batteries

Fire-fighting equipment:

- 2 x Fire extinguishers.

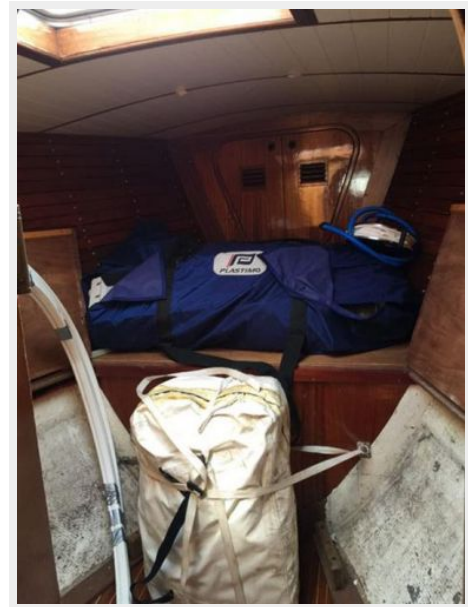
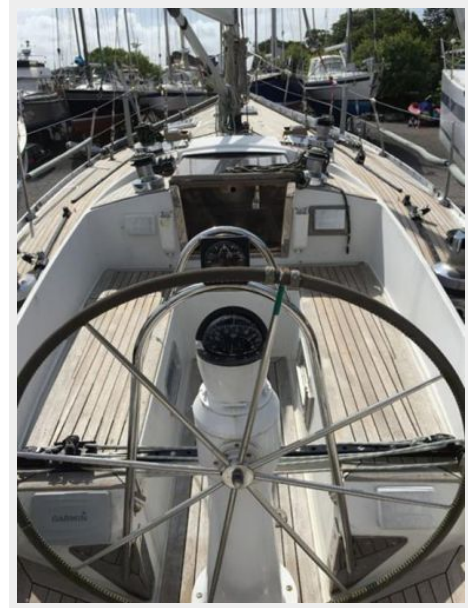
Exclusions

Owner's personal belongings.

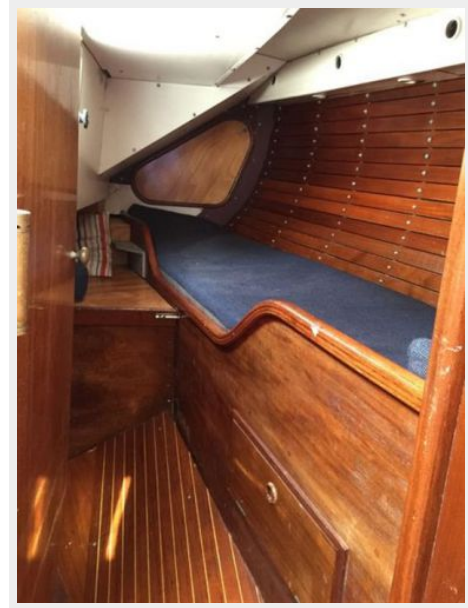
Disclaimer

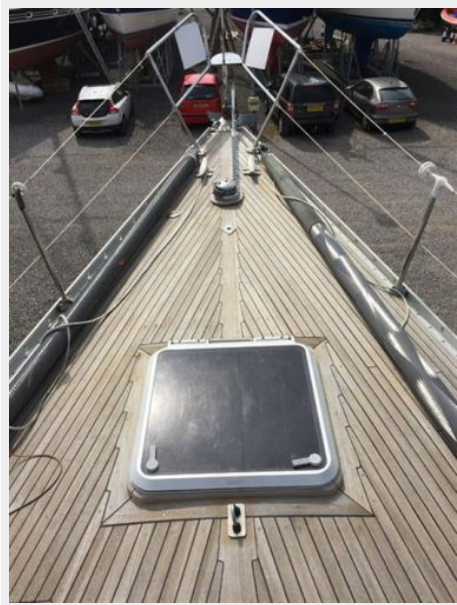
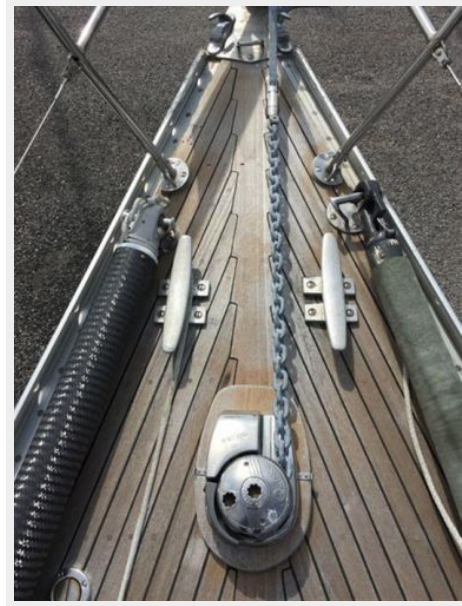
The Company offers the details of this vessel or yacht in good faith but cannot guarantee or warrant the accuracy of this information nor warrant the condition of the vessel. A buyer should instruct his representatives, agents, or his surveyors, to investigate such details as the buyer desires validated. This vessel or yacht is offered subject to prior sale, price change, or withdrawal without notice.

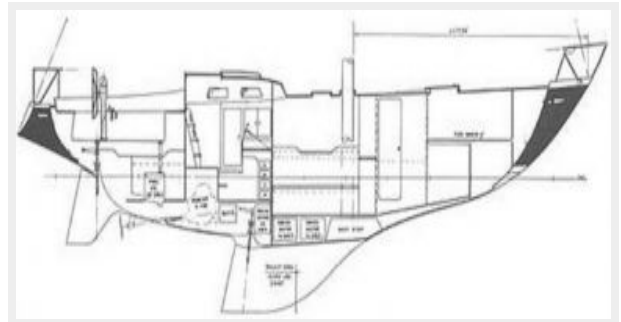
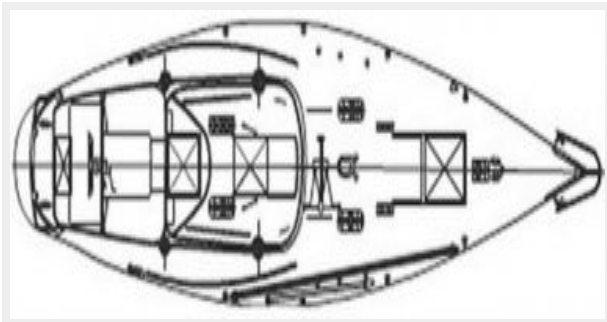
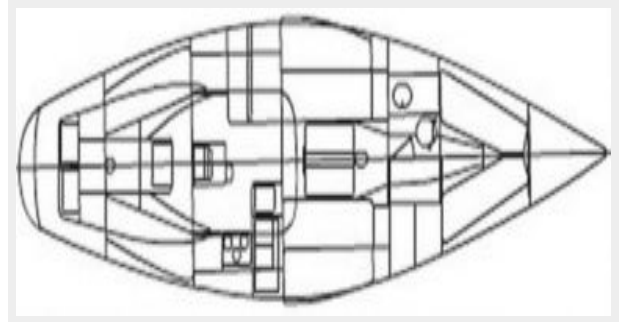
PHOTOS

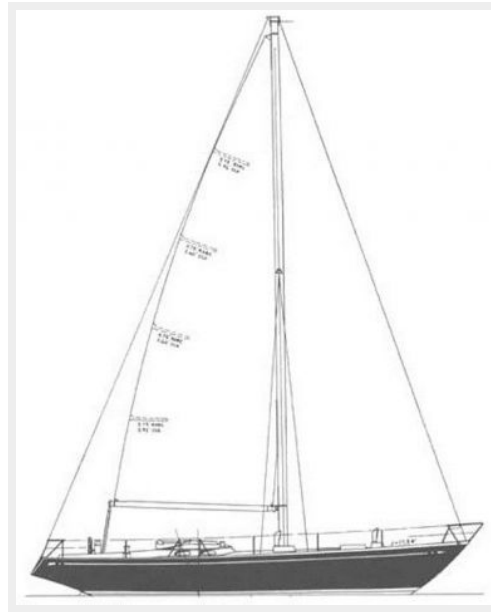












CONTACTS

Andrey Shestakov, leading yacht broker of the sales department of Shestakov Yacht Sales Inc. Shestakov Yacht Sales Inc., the official representative of the Miami/Fort Lauderdale FL headquarters.

Contact details

Email: andrey@shestakovyachtsales.com

Web: shestakovyachtsales.com/en/

Telephones

USA: +1(954)274-4435

Office hours

Monday – Saturday: **9:00 - 21:00** EDT

Sunday: **closed**

Address



Harbour Towne Marina, 850 NE 3rd St,
STE 213, Dania, FL 33004