

MOJO — SUNSEEKER



Builder: SUNSEEKER

Year Built: 2008

Model: Motor Yacht

Price: PRICE ON APPLICATION

Location: Channel Islands

LOA: 46' 2" (14.05m)

Beam: 14' 2" (4.30m)

Min Draft: 6' 8" (2.02m)

Max Draft: 6' 8" (2.02m)

Max Speed: 35 Kts. (40 MPH)

Our experienced yacht broker, Andrey Shestakov, will help you choose and buy a yacht that best suits your needs **MOJO — SUNSEEKER** from our catalogue. Presently, at Shestakov Yacht Sales Inc., we have a wide variety of yachts available on our sale's list. We also work in close contact with all the big yacht manufacturers from all over the world.

If you would like to buy a yacht **MOJO — SUNSEEKER** or would like help answering any questions concerning purchasing, selling or chartering a yacht, please call +1(954)274-4435

TABLE OF CONTENTS

TABLE OF CONTENTS	2
SPECIFICATIONS	3
Overview	3
Basic Information	3
Dimensions	3
Speed, Capacities and Weight	3
Accommodations	3
Hull and Deck Information	4
Engine Information	4
DETAILED INFORMATION	5
Accommodation	5
Additional	5
Vessel Description	5
Exclusions	5
Disclaimer	5
PHOTOS	7
CONTACTS	11
Contact details	11
Telephones	11
Office hours	11
Address	11

SPECIFICATIONS

Overview

This 2008 Sunseeker Portofino 47 Sports cruiser is an excellent example of an ever popular model. "MOJO" Has plenty of cockpit space to relax in and with a large saloon and galley. Accommodation for four persons with two ensuite cabins making this very comfortably and an ideal boat for long weekends. The tender is not included in the sale but can be negotiated. Please contact for more information.

Basic Information

Category: Motor Yacht

Model Year: 2008

Year Built: 2008

Country: Channel Islands

Vessel Top: Hardtop

Dimensions

LOA: 46' 2" (14.05m)

Beam: 14' 2" (4.30m)

Min Draft: 6' 8" (2.02m)

Max Draft: 6' 8" (2.02m)

Speed, Capacities and Weight

Max Speed: 35 Kts. (40 MPH)

Displacement: 35999.28276198 Pounds

Water Capacity: 89.81849768 Gallons

Fuel Capacity: 346.06538812 Gallons

Accommodations

Total Berths: 4

Hull and Deck Information

Hull Material: Fiberglass

Hull Color: Black hull

Engine Information

Engines: 2

Manufacturer: Caterpillar

Model: C9 ACERT

Fuel Type: Diesel

DETAILED INFORMATION

Accommodation

Accommodation for four in two spacious cabins. The forward VIP cabin has a double berth with plenty of storage and ensuite facilities. The twin guest cabin boast two spacious single berths with more storage with access to ensuite facilities. A spacious saloon and cockpit provide plenty of room to relax with full galley equipment a wetbar in the cockpit making dining and entertaining a pleasure.

Additional

Air Conditioning 1 x 7000 BTU – 1 x 16000 BTU Aqualuma White LED wide angle underwater lighting x 4 Back lit boat name Bow Thruster – Sloop Side-power SP95Ti-24V 6.0 – 8hp Cabin Dimmer Switches Ceramic electric fluted Griddle in the cockpit Chart/Navigation courtesy light on flexible arm fitted next to Chart storage area Compass Swinging and adjustment with correction card Dinghy Inflator & socket 12 volt Extra 30 mtrs 8mm Anchor Chain Fresh water Deck wash with outlets Fwd & aft including deck wash hose kit Fridge in wetbar in the Cockpit Garmin GPSMAP 7015 Touch-Screen Chartplotter for Marine Network with GPS antenna GP320B in lieu of std. Inc. Generator Upgraded to Kohler 7.0kw 50Hz (7.OEFOZD) in lieu of standard 4kw Low level lighting in Saloon Safe – 2 brick – with Digital lock Simrad pilot fast heading capability junction box AC20 Sprung mattress for double bed Teak Cabin Stair Treads Teak Decking in the Cockpit Teak folding cockpit table in lieu of standard white Kingsboard in the Cockpit

Vessel Description

This 2008 Sunseeker Portofino 47 Sports cruiser is an excellent example of an ever popular model. "MOJO" Has plenty of cockpit space to relax in and with a large saloon and galley. Accommodation for four persons with two ensuite cabins making this very comfortably and an ideal boat for long weekends. The tender is not included in the sale but can be negotiated. Please contact for more information.

Exclusions

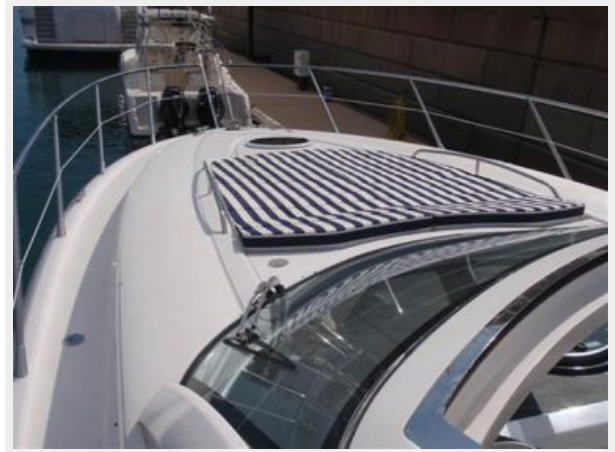
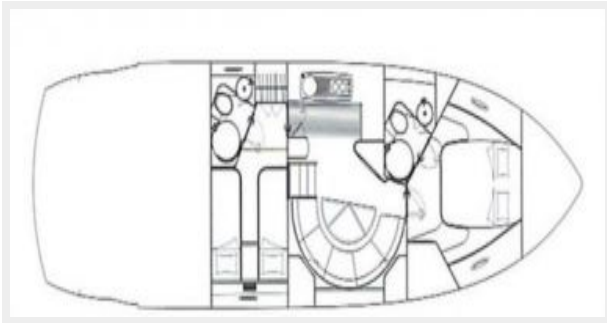
Owner's personal belongings.

Disclaimer

The Company offers the details of this vessel or yacht in good faith but cannot guarantee or warrant the accuracy of this information nor warrant the condition of the vessel. A buyer should instruct his representatives, agents, or his surveyors, to investigate such details as the buyer

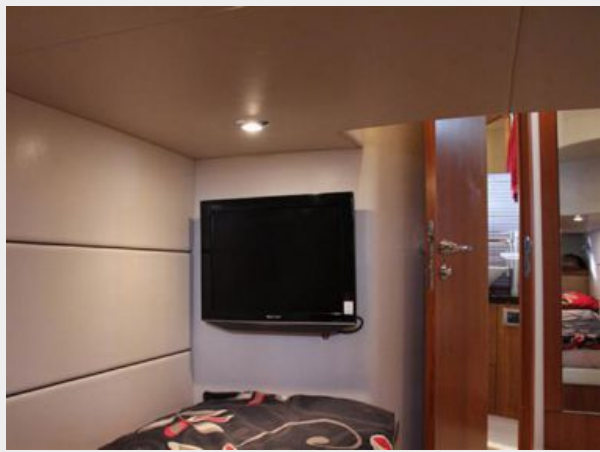
desires validated. This vessel or yacht is offered subject to prior sale, price change, or withdrawal without notice.

PHOTOS









CONTACTS

Andrey Shestakov, leading yacht broker of the sales department of Shestakov Yacht Sales Inc. Shestakov Yacht Sales Inc., the official representative of the Miami/Fort Lauderdale FL headquarters.

Contact details

Email: andrey@shestakovyachtsales.com

Web: shestakovyachtsales.com/en/

Telephones

USA: +1(954)274-4435

Office hours

Monday – Saturday: **9:00 - 21:00** EDT

Sunday: **closed**

Address



Harbour Towne Marina, 850 NE 3rd St,
STE 213, Dania, FL 33004