

GHOST — JULIET MARINE



Builder: [Juliet Marine](#)

LOA: 60' 0" (18.29m)

Year Built: 2009

Model: Motor Yacht

Price: PRICE ON APPLICATION

Location: United States

Our experienced yacht broker, Andrey Shestakov, will help you choose and buy a yacht that best suits your needs **GHOST — Juliet Marine** from our catalogue. Presently, at Shestakov Yacht Sales Inc., we have a wide variety of yachts available on our sale's list. We also work in close contact with all the big yacht manufacturers from all over the world.

If you would like to buy a yacht **GHOST — Juliet Marine** or would like help answering any questions concerning purchasing, selling or chartering a yacht, please call **+1(954)274-4435**

TABLE OF CONTENTS

TABLE OF CONTENTS	2
SPECIFICATIONS	4
Overview	4
Basic Information	4
Dimensions	4
Accommodations	4
Hull and Deck Information	4
Engine Information	4
DETAILED INFORMATION	5
Broker's Comments	5
Documentation	5
Trailer	5
Construction	5
Machinery	7
Flight Control System	7
Electrical Systems	8
Plumbing Systems	8
Tankage	8
Navigation Equipment	9
Domestic Equipment	9
Deck Equipment	9
Exclusions	10
Disclaimer	10
PHOTOS	11
CONTACTS	13
Contact details	13
Telephones	13
Office hours	13

Address

13

SPECIFICATIONS

Overview

2009 built super-stealth craft running on twin Lycoming gas turbines. Low radar signature geometry, articulated wings, built in 8086 aluminium, with central pod to accommodate 16 (14 passengers, pilot and co-pilot). WOW! Offered to co-brokers on a commission split of 50/50.

Basic Information

Category: Motor Yacht

Model Year: 2009

Year Built: 2009

Country: United States

Dimensions

LOA: 60' 0" (18.29m)

Accommodations

Total Cabins: 1

Hull and Deck Information

Hull Material: Aluminum

Deck Material: Aluminum

Hull Configuration: Multi-Hull

Engine Information

Engines: 2

Manufacturer: Lycoming

Model: T53 Gas Turbine

Engine Type: Inboard

Fuel Type: Gas

DETAILED INFORMATION

Broker's Comments

The Ghost-Tactical craft is a SWATH vessel. Base Configuration includes all items listed below, with numerous options available. Crew Training, Additional Spares and Transport are available upon request to be quoted separately. Brochure upon request.

Documentation

- Full Electronic Format Documentation Package to include Operation, Essential Service, Transport, Storage and Handling Instructions included with Base Vehicle Delivery.
- Additional service documentation is available on request, to be quoted separately.

Trailer

- Low Cost, Reliable and Simple Trailer System Consisting of the following:
 1. Air Ride Suspension for smooth over the road operation.
 2. Trailer mounted crane for In-Field Assembly of Ghost-Tactical Vessel.
 3. On-Board Air Cooled Diesel Generator for In-Field Operation.
- Tandem Trailer required for dis-assembled Ghost-Tactical transport over the road.

Construction

Hull, Deck & Superstructure Construction:

- All aluminum construction 8086.
- Paint - Awlgrip, Sea Hawk Ablative Bottom Paint.
- Low Radar Signature Geometry.
- Service points for powering and mounting external antennas and sensors.
- Command Module with 576 cubic foot Reconfigurable Mission Bay including;
 1. Seating capacity for 14 Passengers with Gear.

2. Segregated Cockpit with seating for Pilot and Weapons Officer.
 3. Additional mid-body seating for 2 personnel suitable for Navigator, Additional Weapons Officers or other uses.
 4. Rear door access.
 5. Emergency hatches ceiling of cockpit and floor of cockpit.
 6. Wing Actuation Jack-Screw System.
 7. Swim platform.
 8. Fuel filtration and fuel monitor system.
 9. Service Generator- Farymann18W- 45KW.
 10. Pneumatic System.
 11. DC Battery System with Integrated Charge and AC Inverter System- 120V+240VA.
 12. Anchoring and Docking Equipment, Lines, camels, Fenders.
 13. Boarding Ladder and Dock Fender System.
- Articulated Wings and Underwater Structure encompassing;
 1. Propulsion package (detailed below) and Drive Train.
 2. Contra-Rotating Propeller System with Debris Guard.
 3. Fully Integrated Hydraulic Steering and Ride Control Actuators.
 4. Inlet Air / Water Separators with Remote Air Control Louvers.
 5. Fire Suppression.
 6. Fuel Storage System in BTF.
 7. Ballast System.
 8. Trim Water Control System.
 9. Bilge Pump System (Auto, Manuel, High water Alarm).
 - Full Climate Control System in both Cockpit and Command Module-Dometic 2700 BTU Vector Compact.
 - All aluminum construction 8086.

- Paint - Awlgrip, Sea Hawk Ablative Bottom Paint.
- Low Radar Signature Geometry.
- Service points for powering and mounting external antennas and sensors.

Machinery

Engine & Gearboxes:

- 2 Lycoming T53 gas turbine engines with Electronic Fuel Control Modules.
- Inlet Air / Water Separators with Remote Air Control Louvers.
- Water cooled Exhaust Jacket.
- Custom JMS / Tandler Planetary Gearbox transmission.
- Custom JMS clutch.
- Tandler Contra-Rotating Propeller Gearbox.
- Oil lubrication and cooling system with integral monitoring components.
- Custom Engine Control + monitoring PLC Glen-denning Throttle controls.

Propulsion & Steering:

- Contra-Rotating Propeller System with Debris Guard; Contra Rotating Tractor Style Propellers- plus extra set.
- Fully Integrated Hydraulic Steering and Ride Control Actuators.
- Trim Water Control System.
- Hybrid propulsion electric or gas turbine.

Other Mechanical Equipment:

- Pneumatic System.

Flight Control System

- ABS Certified Flight Control System with integrated network redundancy consisting of the following components:

1. Central Control Processing Unit.
2. Backup Processing Unit.
3. Four Quadrant Processing Units capable of independent (fail safe) operation.
4. 6 axis Inertial Measurement Unit.
5. Ride Height Monitoring Sensor.
6. Operator Interfaces with Dual operator Input.
7. Ethernet Network Router and Switch with back up.
8. Isolated Power Amplifiers for reliable “always live” operation.
9. Fail-Safe shut down capability.

Electrical Systems

Battery Banks:

- DC Battery System with Integrated Charge and AC Inverter System- 120V+240VA.

Generator:

- Service Generator- Farymann18W- 45KW.

Plumbing Systems

Bilge Pumps:

- Bilge Pump System (Auto, Manuel, High water Alarm).

Tankage

Fuel:

- Fuel filtration and fuel monitor system.

- Fuel Storage System in BTF.

Navigation Equipment

- Furuno Navigation Package- Nav Net 3D, Black box, 6 VEI Displays, Spot light, Flir Thermal imaging camera.
- Dual GPS System.
- Digital Compass.
- Dual VHF Radio Configuration with Internal Communications Network- ICOM M602.
- Central “Watchdog” Alarm System.
- Dual Depth sensors.
- 12 internal remotely operated cameras.
- Engine monitoring suite.
- Data Acquisition and storage system with “real-time” monitoring.
- Engine controls and engine performance monitoring.
- Lighting: Low Power LED – Daylight White and Night Ops Red.
- Data Telemetry Package.
- Remote Operations Ready.
- Full Digital Controls.
- Accommodation for MIL-Spec VHF and Shipboard Radio Systems- Fio Scan Fuel Monitoring.

Domestic Equipment

Heating & Ventilation:

- Full Climate Control System in both Cockpit and Command Module-Dometic 2700 BTU Vector Compact.

Deck Equipment

Anchoring & Mooring Equipment:

- Anchoring and Docking Equipment, Lines, camels, Fenders.
- Boarding Ladder and Dock Fender System.

Fire-fighting equipment:

- Fire Suppression.

Exclusions

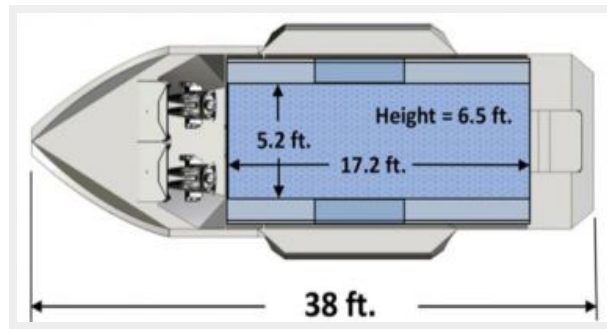
Owner's personal belongings.

Disclaimer

The Company offers the details of this vessel or yacht in good faith but cannot guarantee or warrant the accuracy of this information nor warrant the condition of the vessel. A buyer should instruct his representatives, agents, or his surveyors, to investigate such details as the buyer desires validated. This vessel or yacht is offered subject to prior sale, price change, or withdrawal without notice.

PHOTOS





CONTACTS

Andrey Shestakov, leading yacht broker of the sales department of Shestakov Yacht Sales Inc. Shestakov Yacht Sales Inc., the official representative of the Miami/Fort Lauderdale FL headquarters.

Contact details

Email: andrey@shestakovyachtsales.com

Web: shestakovyachtsales.com/en/

Telephones

USA: +1(954)274-4435

Office hours

Monday – Saturday: **9:00 - 21:00** EDT

Sunday: **closed**

Address



Harbour Towne Marina, 850 NE 3rd St,
STE 213, Dania, FL 33004