

GHOST — JULIET MARINE



Судостроитель: [Juliet Marine](#)

Длина общая: 60' 0" (18.29m)

Год постройки: 2009

Модель: Моторная яхта

Цена: ЦЕНА ЯХТЫ ПО ЗАПРОСУ

Местонахождение: United States

Купить **GHOST — Juliet Marine** а также выбрать подходящую вам яхту из нашего каталога яхт вам поможет опытный яхтенный брокер Андрей Шестаков. На сегодняшний день компания **Shestakov Yacht Sales Inc.** имеет большое количество яхт в собственном списке продаж, а также тесно сотрудничает со всеми крупными яхтенными производителями по всему миру.

Для того чтобы купить яхту **GHOST — Juliet Marine** а также проконсультироваться по любому вопросу связанному с покупкой, продажей, чартером яхт позвоните по телефону **+7(918)465-66-44**.

ОГЛАВЛЕНИЕ

ОГЛАВЛЕНИЕ	2
ХАРАКТЕРИСТИКИ	4
Обзор	4
Основная информация	4
Размеры	4
Размещение	4
Корпус и палуба	4
Информация о двигателе	4
ПОДРОБНОЕ ОПИСАНИЕ	5
Broker's Comments	5
Documentation	5
Trailer	5
Construction	5
Machinery	7
Flight Control System	7
Electrical Systems	8
Plumbing Systems	8
Tankage	8
Navigation Equipment	9
Domestic Equipment	9
Deck Equipment	9
Исключения	10
Отказ от ответственности	10
ФОТОГРАФИИ	11
КОНТАКТЫ	13
Контактная информация	13
Телефоны	13
Время работы	13

Адрес

13

ХАРАКТЕРИСТИКИ

Обзор

2009 built super-stealth craft running on twin Lycoming gas turbines. Low radar signature geometry, articulated wings, built in 8086 aluminium, with central pod to accommodate 16 (14 passengers, pilot and co-pilot). WOW! Offered to co-brokers on a commission split of 50/50.

Основная информация

Тип судна: Моторная яхта

Модельный год: 2009

Год постройки: 2009

Страна: United States

Размеры

Длина общая: 60' 0" (18.29m)

Размещение

Всего кают: 1

Корпус и палуба

Материал корпуса: Aluminum

Материал палубы: Aluminum

Комплектация корпуса: Multi-Hull

Информация о двигателе

Двигатели: 2

Производитель: Lycoming

Модель: T53 Gas Turbine

Тип двигателя: Inboard

Тип топлива: Gas

ПОДРОБНОЕ ОПИСАНИЕ

Broker's Comments

The Ghost-Tactical craft is a SWATH vessel. Base Configuration includes all items listed below, with numerous options available. Crew Training, Additional Spares and Transport are available upon request to be quoted separately. Brochure upon request.

Documentation

- Full Electronic Format Documentation Package to include Operation, Essential Service, Transport, Storage and Handling Instructions included with Base Vehicle Delivery.
- Additional service documentation is available on request, to be quoted separately.

Trailer

- Low Cost, Reliable and Simple Trailer System Consisting of the following:
 1. Air Ride Suspension for smooth over the road operation.
 2. Trailer mounted crane for In-Field Assembly of Ghost-Tactical Vessel.
 3. On-Board Air Cooled Diesel Generator for In-Field Operation.
- Tandem Trailer required for dis-assembled Ghost-Tactical transport over the road.

Construction

Hull, Deck & Superstructure Construction:

- All aluminum construction 8086.
- Paint - Awlgrip, Sea Hawk Ablative Bottom Paint.
- Low Radar Signature Geometry.
- Service points for powering and mounting external antennas and sensors.
- Command Module with 576 cubic foot Reconfigurable Mission Bay including;
 1. Seating capacity for 14 Passengers with Gear.

2. Segregated Cockpit with seating for Pilot and Weapons Officer.
 3. Additional mid-body seating for 2 personnel suitable for Navigator, Additional Weapons Officers or other uses.
 4. Rear door access.
 5. Emergency hatches ceiling of cockpit and floor of cockpit.
 6. Wing Actuation Jack-Screw System.
 7. Swim platform.
 8. Fuel filtration and fuel monitor system.
 9. Service Generator- Farymann18W- 45KW.
 10. Pneumatic System.
 11. DC Battery System with Integrated Charge and AC Inverter System- 120V+240VA.
 12. Anchoring and Docking Equipment, Lines, camels, Fenders.
 13. Boarding Ladder and Dock Fender System.
- Articulated Wings and Underwater Structure encompassing;
 1. Propulsion package (detailed below) and Drive Train.
 2. Contra-Rotating Propeller System with Debris Guard.
 3. Fully Integrated Hydraulic Steering and Ride Control Actuators.
 4. Inlet Air / Water Separators with Remote Air Control Louvers.
 5. Fire Suppression.
 6. Fuel Storage System in BTF.
 7. Ballast System.
 8. Trim Water Control System.
 9. Bilge Pump System (Auto, Manuel, High water Alarm).
 - Full Climate Control System in both Cockpit and Command Module-Dometic 2700 BTU Vector Compact.
 - All aluminum construction 8086.

- Paint - Awlgrip, Sea Hawk Ablative Bottom Paint.
- Low Radar Signature Geometry.
- Service points for powering and mounting external antennas and sensors.

Machinery

Engine & Gearboxes:

- 2 Lycoming T53 gas turbine engines with Electronic Fuel Control Modules.
- Inlet Air / Water Separators with Remote Air Control Louvers.
- Water cooled Exhaust Jacket.
- Custom JMS / Tandler Planetary Gearbox transmission.
- Custom JMS clutch.
- Tandler Contra-Rotating Propeller Gearbox.
- Oil lubrication and cooling system with integral monitoring components.
- Custom Engine Control + monitoring PLC Glen-denning Throttle controls.

Propulsion & Steering:

- Contra-Rotating Propeller System with Debris Guard; Contra Rotating Tractor Style Propellers- plus extra set.
- Fully Integrated Hydraulic Steering and Ride Control Actuators.
- Trim Water Control System.
- Hybrid propulsion electric or gas turbine.

Other Mechanical Equipment:

- Pneumatic System.

Flight Control System

· ABS Certified Flight Control System with integrated network redundancy consisting of the following components:

1. Central Control Processing Unit.
2. Backup Processing Unit.
3. Four Quadrant Processing Units capable of independent (fail safe) operation.
4. 6 axis Inertial Measurement Unit.
5. Ride Height Monitoring Sensor.
6. Operator Interfaces with Dual operator Input.
7. Ethernet Network Router and Switch with back up.
8. Isolated Power Amplifiers for reliable “always live” operation.
9. Fail-Safe shut down capability.

Electrical Systems

Battery Banks:

- DC Battery System with Integrated Charge and AC Inverter System- 120V+240VA.

Generator:

- Service Generator- Farymann18W- 45KW.

Plumbing Systems

Bilge Pumps:

- Bilge Pump System (Auto, Manuel, High water Alarm).

Tankage

Fuel:

- Fuel filtration and fuel monitor system.

- Fuel Storage System in BTF.

Navigation Equipment

- Furuno Navigation Package- Nav Net 3D, Black box, 6 VEI Displays, Spot light, Flir Thermal imaging camera.
- Dual GPS System.
- Digital Compass.
- Dual VHF Radio Configuration with Internal Communications Network- ICOM M602.
- Central “Watchdog” Alarm System.
- Dual Depth sensors.
- 12 internal remotely operated cameras.
- Engine monitoring suite.
- Data Acquisition and storage system with “real-time” monitoring.
- Engine controls and engine performance monitoring.
- Lighting: Low Power LED – Daylight White and Night Ops Red.
- Data Telemetry Package.
- Remote Operations Ready.
- Full Digital Controls.
- Accommodation for MIL-Spec VHF and Shipboard Radio Systems- Fio Scan Fuel Monitoring.

Domestic Equipment

Heating & Ventilation:

- Full Climate Control System in both Cockpit and Command Module-Dometic 2700 BTU Vector Compact.

Deck Equipment

Anchoring & Mooring Equipment:

- Anchoring and Docking Equipment, Lines, camels, Fenders.
- Boarding Ladder and Dock Fender System.

Fire-fighting equipment:

- Fire Suppression.

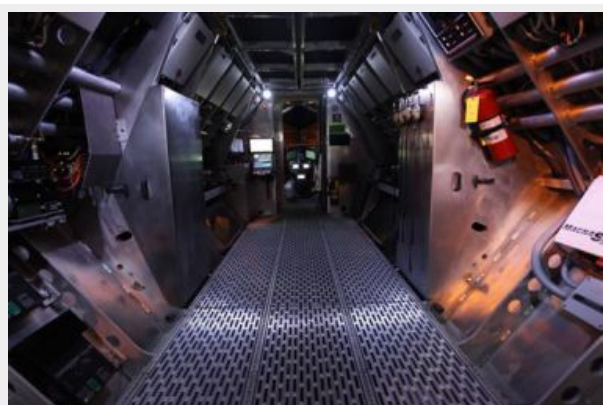
Исключения

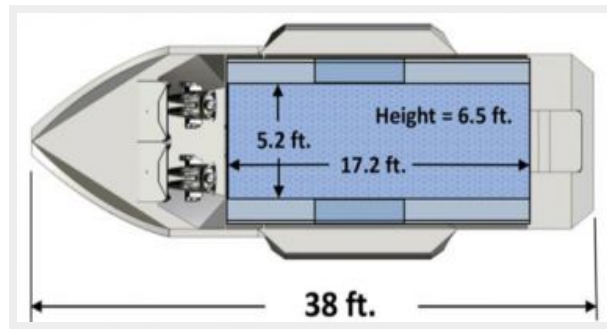
При продаже яхты исключаются личные вещи владельца.

Отказ от ответственности

Компания предоставляет описание судна или яхты добросовестно, но не может гарантировать точность этой информации, а также не ручается за техническое состояние. Покупатель должен проинструктировать своих агентов или оценщиков исследовать представленную информацию более подробно, по собственному желанию. Продажа судна или яхты, изменение цены или снятие с продажи будет происходить без предварительного уведомления.

ФОТОГРАФИИ





КОНТАКТЫ

Андрей Шестаков (Andrey Shestakov) – ведущий яхтенный брокер отдела продаж яхт и судов компании Shestakov Yacht Sales Inc. Официальный представитель Shestakov Yacht Sales Inc. для русскоговорящих клиентов в центральном офисе компании в Майами/Форт Лодердейл/Флорида/США.

Контактная информация

Email: andrey@shestakovyachtsales.com

Web: shestakovyachtsales.com

Телефоны

Краснодарский край: **+7(918)465-66-44**

США, Майами, Флорида: **+1(954)274-4435**

Время работы

Понедельник – Суббота: **9:00 - 21:00**
EDT

Воскресенье: **Закрето**

Адрес



Harbour Towne Marina, 850 NE 3rd St,
STE 213, Dania, FL 33004