

NORDLYS — LAZZARA



Builder: LAZZARA

Year Built: 2002

Model: Motor Yacht

Price: PRICE ON APPLICATION

Location: United States

LOA: 80' 0" (24.38m)

Beam: 20' 1" (6.12m)

Max Draft: 4' 6" (1.37m)

Cruise Speed: 24 Kts. (28 MPH)

Max Speed: 28 Kts. (32 MPH)

Our experienced yacht broker, Andrey Shestakov, will help you choose and buy a yacht that best suits your needs **Nordlys — LAZZARA** from our catalogue. Presently, at Shestakov Yacht Sales Inc., we have a wide variety of yachts available on our sale's list. We also work in close contact with all the big yacht manufacturers from all over the world.

If you would like to buy a yacht **Nordlys — LAZZARA** or would like help answering any questions concerning purchasing, selling or chartering a yacht, please call **+1(954)274-4435**

TABLE OF CONTENTS

TABLE OF CONTENTS	2
SPECIFICATIONS	6
Basic Information	6
Dimensions	6
Speed, Capacities and Weight	6
Accommodations	6
Hull and Deck Information	6
Engine Information	6
DETAILED INFORMATION	7
Vessel Information	7
Exclusions	18
Disclaimer	18
PHOTOS	19
Salon	19
Salon	20
Salon	20
Salon	20
Dining	20
Dining	21
Dining	21
Galley	21
Galley	21
Galley	22
Galley	22
Galley	22
Dinette	22
Dinette	23
Dinette	23

Dinette	23
Day Head	23
Master Stateroom	24
Master Stateroom	24
Master Stateroom	24
Master Stateroom	24
Master Stateroom	24
Master Stateroom	24
Master Stateroom	25
Master Head	25
Master Head	25
Master Head	25
Master Head	26
Master Head	26
Port Guest Stateroom	26
Port Guest Stateroom	26
Port Guest Stateroom	27
Port Guest Stateroom	27
Port Guest Head	27
Port Guest Head	27
Starboard Guest Stateroom	28
Starboard Guest Stateroom	28
Starboard Guest Stateroom	28
Starboard Guest Stateroom	28
Starboard Guest Head	29
Starboard Guest Head	29
Starboard Guest Head	29
Forward Stateroom	29
Forward Head	30

Forward Stateroom	30
Forward Port Stateroom	30
Forward Port Stateroom	30
Forward Port Head	31
Forward Port Stateroom	31
Office	31
Office	31
Office	32
Aft Deck	32
Aft Deck	32
Aft Deck	32
Aft Deck	32
Skylounge	32
Skylounge	33
Skylounge	33
Skylounge	33
Skylounge	33
Skylounge	33
Skylounge	33
Skylounge	34
Skylounge	34
Skylounge	34
Skylounge	34
Skylounge	34
Skylounge	34
Bow	35
Bow	35
Bow	35
Bow	35

Engine Room	35
Engine Room	35
Engine Room	36
Engine Room	36
Engine Room	36
Engine Room	36
Engine Room	37
Engine Room	37
CONTACTS	38
Contact details	38
Telephones	38
Office hours	38
Address	38

SPECIFICATIONS

Basic Information

Category: Motor Yacht

Sub Category: Sky Lounge

Model Year: 2003

Year Built: 2002

Refit Year: 2014

Country: United States

Dimensions

LOA: 80' 0" (24.38m)

Beam: 20' 1" (6.12m)

Max Draft: 4' 6" (1.37m)

Speed, Capacities and Weight

Cruise Speed: 24 Kts. (28 MPH)

Max Speed: 28 Kts. (32 MPH)

Water Capacity: 400 Gallons

Holding Tank: 200 Gallons

Fuel Capacity: 2000 Gallons

Accommodations

Total Cabins: 5

Total Heads: 6

Hull and Deck Information

Hull Material: Fiberglass

Engine Information

Engines: 2

Manufacturer: MTU

DETAILED INFORMATION

Vessel Information

NORDLYS (pronounced “Nu-leese”) is a Norwegian word meaning Northern Lights. This 2003 Lazzara 80 Skylounge has been through a complete new interior and mechanical refit. The interior has been comprehensively redone to resemble a modern work of art. The combination of high gloss maple wood, white furniture and accent colors of rose and blues make this yacht interior breathtakingly beautiful. In addition to her spectacular interior NORDLYS has been put in top mechanical working order. With under 1,650 hour engines and a new interior, this is a rare opportunity to get a Lazzara yacht at a great value. Complete with 5 staterooms, 6 heads, enclosed flybridge, dual aft pods for toys and much more there isn't a yacht in this class that offers more.

MAJOR REFIT

- New paint on flybridge, decks, bow and transom
- New SAT TV Dome
- New Bottom Paint (9/1/16)
- All new ceiling and wall panels
- Main salon Santos wood flooring
- Skylounge Santos wood flooring
- New salon settee
- New salon coffee table
- New salon dining room table and chairs
- New salon lighting fixtures
- Painted engines
- New chrome fixtures and stainless steel on engines
- New soft goods in every stateroom
- Rebuilt flybridge davit
- New vinyl seating in Galley, Skylounge and Helm Chairs
- Rebuilt 50HP Honda on tender and new Novuraina tubes
- New ISIS circuit board
- New deck chairs
- New carpeting throughout
- Major engine service performed at 1,450 hrs. including; Cleaning Heat Exchangers, Clean Charge Air Coolers, Remove And Clean All Fuel Injectors, Replace Seawater Pumps
- Major generator service performed at 3,500hrs. including; Cleaning Heat Exchangers, Replacing Sea Water Pumps, New Insulation, Replaced Injectors
- 3 New Cruise Air AC compressors

Main Salon

Enter the spacious Grand Salon through double sliding stainless steel curved glass doors and prepare yourself for an atmosphere of refinement and elegance yet an inviting setting for intimate gatherings or parties. Exotic maple wood; high gloss on lower walls and wood window sills; custom designed fabrics and accessories; upholstered cornices; spacious seating; overhead ceiling treatment which include halogen mini spots throughout the salon and dining area that provide ample light and rich wood flooring. The entertainment system offers TV, surround sound stereo CD/DVD player. This vessel is appealing even to those with the most discriminating eye.

- Sofa
- Coffee table
- 2 side chairs, occasional
- Starboard entertainment center with built-in TV on electric lift
- Satellite television system - Sea Tell
- Stereo/CD/DVD player
- Wood floors throughout
- Double sliding curved glass doors to aft deck
- Recessed ceiling with low voltage AC lighting
- 120 volt receptacles
- Wood mullions
- Wood window sills
- Wood valance
- Overhead ceiling treatment
- Silhouette Blinds

Galley

Lazzara's country kitchen makes this galley a natural gathering spot. The fine wood cabinetry and separate built-in pantry enables plenty of space for a complete galley. Center is a granite countertop island that houses a Kohler double S.S. sink with Grohe single lever faucet w/sprayer. The galley features all the best amenities which include a full size under counter oven, Microwave/convection oven, and a dishwasher.

- Island granite counter top sink with cabinet storage below

- Double stainless steel sink
- Dishwasher
- Electric range, 4 burner countertop model
- Oven, full-sized, convection, under counter
- Microwave oven over stove
- Exhaust fan in microwave over stove
- Insta-Hot water dispenser
- Refrigerator/freezer double door with ice dispenser in door
- Water filter
- Trash compactor
- LCD flat screen TV
- Wood cabinets with stainless handles
- Galley cabinets and lockers, above and below granite galley counter top
- Built-in pantry
- Stairs leading to flybridge
- Starboard side sliding door to weather deck
- Lighting, 24 volt

Lower Foyer

- Marble floor in foyer
- Washer/dryer laundry center
- Full height linen locker
- Stairway up to main salon

Master Stateroom

The full beam Master Suite is brilliantly decorated as is the rest of the yacht. A king size center-lined bed has a solid wood base that offers five large storage drawers beneath. The frame of the bed again shows off the craftsmanship of Lazzara's woodworking capabilities. The bed has rope lighting in the toe kick that illuminates the area. Nightstands are on both sides of the bed. Wall

mounted Fine Art light sconces are above each nightstand. Between the lamps there is a custom upholstered headboard with a large beveled mirror above. The overhead has a curved wood crown molding with both rope lights and mini halogen spots as reading lights. Overhead is a mirrored panel with eight halogen mini spots in the surrounding molding. To starboard aft is a chest of drawers with three open shelves above for decorative items or books. There is additional drawer space and two open shelves above the bureau. Forward is a desk/vanity and chair. A walk-in closet provides built-in drawers and shelves; shoe racks and hanging space. To the rear of the closet is another lockable storage space that allows for luggage storage without taking space from the closet. A full size mirror is hung on the interior door. A manual safe is hidden in the closet for personal items or cash to Port are matching bureaus with open shelves. Between the two bureaus is a two-person settee with additional storage under cushion seat. Both port and starboard have fixed windows that have sliding Shoji screens. On the forward bulkhead is a Flatscreen LCD TV.

- Walk-around king sized bed
- Loveseat
- LCD TV with Surround Sound Stereo/CD/DVD player
- Telephone outlet
- Padded headboard on aft bulkhead
- Shoji screens over fixed port lights
- Private access to head
- Vanity/desk with chair
- Large walk-in closet with shelves, lighted, and access to supplemental storage locker behind
- Full length mirror on interior of closet door

Master Head

The full width vanity cabinet is curved at the front and has under-mounted his/her sinks and a marble countertop with waterfall edge. All the fixtures are in gold and chrome finishes. Above are five mirrored panels of which two are large medicine cabinets. The enclosed full size Jacuzzi bathtub offers dual shower heads, one fixed and one hand held. Marble tub surround and walls add to the richness of this inviting Jacuzzi tub. The toilet is a Microphor model.

Adjacent is a mirrored door that is the linen closet. The Head's lighting is from nine overhead halogen mini spots. The head also has an exhaust fan. Flooring is done in marble.

- Marble vanity top with 2 sinks

- Extra large glass enclosed shower with marble surrounds, inlaid accent tiles
- Mirrored medicine cabinet
- Exhaust fan
- Linen closet
- Marble floor

VIP Staterooms (Port & Starboard)

The starboard stateroom is a mirror of the port stateroom. Utilizing half the beam of the yacht to its best advantage, the queen berth in the Port VIP Guest Stateroom is athwart ships and walk-around on three sides. The high gloss wood base has four large drawers for storage. Toe rope lighting. Above the upholstered headboard is an inset mirrored area with a two door cabinet fore and aft. In the aft cabinet is a TV/Stereo player. Above are two opening stainless steel portholes, an upholstered valance with rope lighting above, Duette shades and reading lights. The hanging locker is cedar lined and has a mirror on the exterior of the door.

The En-suite VIP Head has a maple curved vanity cabinet with under-mount sink, fixtures, bull nosed marble countertops that match the sole and a Microphor china toilet. The fiberglass stall shower has a clear glass door with sidelight, and a hand held or wall mountable fixture. Also in this head is an exhaust fan, an AC outlet and four overhead mini-spots.

- Walk-around queen sized bed
- Padded headboard
- LCD flat screen TV
- Outboard storage/stereo cabinets and open shelving with mirror
- CD/DVD stereo system
- Cedar-lined hanging locker with mirrored door
- Indirect lighting
- Opening ports
- Private access to head
- Receptacles, 120 volt
- Telephone outlet
- Night stand with drawers and brass actuator latches and wood top

- Corner cabinet with doors and shelves
- Upper corner TV cabinet

VIP Heads

- Enclosed stall shower
- Linen closet
- Medicine cabinet
- Exhaust fan
- Marine toilet, full size
- Mirror
- Receptacle, 120 volt
- Wood valance with overhead lighting
- Marble floor

Forward Staterooms (Bow and Port Bow)

Two (2) over/under berths with drawer storage below Dresser with storage below. Upper storage cabinets with doors, starboard side Upper storage cabinets with open shelving, port side Bed base upholstered in Majilite with wood trim Hanging cedar lined locker with mirrored closet door Private access to head. LCD flat screen TV and entertainment system Receptacle, 120 volt. Wood valance with lighting overhead LED night-light and light switches · Reading light

- 2 Receptacles, 120 volt
- Telephone outlet
- Computer outlet
- Access to lower forward bilge area
- Desk chair
- Full size bed with storage below
- Private access to head
- 15" LCD flat screen TV
- Stereo/CD player

- Satellite receiver
- Opening ports

Forward Heads (Bow & Port Bow)

- Vanity with under-hung sink and marble countertop
- Enclosed stall shower
- Holder
- Mirrored medicine cabinet
- Marble floor
- Exhaust fan
- Marine toilet, full size Vacu Flush
- Receptacle, 120 volt
- Wood valance with overhead lighting
- Wallpaper treatment

Sky Lounge

The enclosed fly bridge offers an enchanting 360 degree panoramic view of the ocean and sky and is sure to be a favorite place. A maple wood electronic instrumentation display console features navigational and electronic equipment. Port and starboard storage cabinets separate the helm and lounge area. Double curved glass doors lead to the Sun Deck. The aft bridge deck is sure to be a place to host many gatherings. Fiberglass storage cabinets with refrigerator and grill make cooking up the day's catch fun for all! And a large centerline seating group offers seating for six

- Entertainment center with built-in TV
- Stereo/CD/DVD player
- Recessed ceiling low voltage AC lighting
- 120 volt receptacles throughout
- Large sofa / Hide A Bed
- Coffee table
- 1 side chair

- Double sliding curved glass doors to aft deck
- Full Dinette seating

Upper Helm

- Fully instrumented console for operation including all controls and electronics
- Control for bow thruster
- Electronic single lever engine controls
- Horns and navigational lighting
- Full leather helm chair
- ISIS System, Upgraded 2014
- Satellite System - Sea Tell
- Nobletec Chart Plotter w/wireless mouse and keyboard
- VEI LCD displays and Samsung Display
- B & G Speed & Depth
- Furuno Depth Finder
- Simrad Auto Pilot
- Simrad 48 Mile Radar
- Northstar GPS
- Standard Horizon VHF 6XSS005
- EPIRB ACR
- Searchlight
- Controls for Bow Thruster, Air Horns, Searchlights and Engine Controls
- Camera system

Upper Aft Deck

- Corian oval table w/ settee seating and ample storage underneath (6)
- Electric grill port side
- Refrigerator under aft deck counter

- Counter forward of the grille on the port side with refrigerator underneath
- Access sliding hatch to main deck level
- Access hatch to aft deck via ladder
- Hydraulic davit with remote control, Port side concealed into styling line, with telescopic and power rotation features
- Stainless steel dinghy chocks that convert to aft deck guard rails

Lower Aft Deck

The Aft Deck has teak table/seating group and teak serving bar equipped with a refrigerator. Bring your guests here to watch fabulous sunsets while enjoying an exotic drink. Lighting and speakers under the hardtop help set the mood. Leading down to the sport deck are wide teak stairs with S.S. handrails. The sport deck area has fresh water wash down; hot and cold hand held shower, dockside water connection; two pods that can house personal water craft vehicles.

- Fresh water wash down
- Hot and cold hand held shower
- Dockside water connection
- Fuel fill
- Shore power outlet
- Walk-in engine room door with inspection port
- Hydraulically operated pod doors (PT-Jet Ski Stb Storage)
- Fiberglass bulwark on aft end of sport deck with stainless steel bulwark rails
- Underwater lights on transom
- Oval teak table w/ couch seating (ample storage underneath)
- Stainless steel ladder with teak inlay leading to upper deck
- Teak stairway aft leading to swim platform and engine room access

Mechanical

Clean engine room with full access to service all mechanical components. Enter from the aft through water tight door with inspection port.

- 2 – ZF model 2050-A reduction gear transmissions

- Starboard aft deck control station with engine and bow thruster controls
- ISIS alarm system for engines/bilges/fire/security
- Thruster Sidepower 24 volt bow thruster
- NIAD Stabilizer System
- Cruiseair remote modulating air conditioning system
- Sea Recovery 1200 gallon per day water maker
- Engine synchronizer
- (2) Five blade Rolla Props
- Hynautic hydraulic steering with power assist
- Dual Racor primary fuel filters and secondary filters
- Oil change systems for engines and generators
- Fuel priming pumps for engines and generators
- Engine room mechanical gauges
- Three 24 volt windshield wipers and washers
- One 220 volt manifold system bilge pump
- One electric manual bilge pump
- Starboard engine replaced under warranty-2003

Electrical Systems

- Fully bonded and coded wiring throughout vessel.
- (2) Onan generators with sound shields, 120/240V 20KW
- AC and DC master control distribution panel located in engine room, with 4 subpanels
- Anchor lights, 24 volt
- Engine room lights, AC/DC
- Interior lighting 115 and 24 volt
- Navigation lights, 24 volt
- Bulwark lights, 24 vol

- 120 volt duplex receptacles throughout
- Batteries, heavy duty, 12 and 24 volt
- Battery chargers, 12 and 24 volt
- Vapor-proof battery switches
- 100A/240 volt shore power inlet, located at transom, with 100 ft cord on bow
- Glendinning Cablemaster retracting 100 ft shore power cord, 240 volt/100 amp
- Shore power "smart Y" box
- Alarms for engines, reduction gears, bilges and generators
- Isolation transformer
- Searchlight with remote control at helm
- Telephone and CATV inlets, located at transom

Deck Equipment

- 14.5' Novurania tender w/ 50 hp Honda 4-stroke outboard
- Maxwell anchor windless, electrical, vertical, with chain stopper, 200 3/8 chain-plow anchor s/s
- Stainless Steel anchor chute
- Stainless steel rails
- Hinged rails forward for side boarding, port and starboard
- Custom stainless bow, spring and stern cleats with stainless hawsers
- Deck fills: water and waste removal
- Fuel fill aft
- Foredeck wash down
- Dockside water connection
- Forward hatch to bow cabin
- Hinged fiberglass boarding doors, port and starboard
- Lighting and speakers under hardtop

- Teak aft deck
- Telephone outlet
- Receptacle
- Fresh air engine intake vents
- All glass is laminated and chemically strengthened
- Window tinting throughout
- Air horns
- Portable fire extinguishers
- Marquipt 6 step sea stairs

Hull

- Solid vinyl/pvc rub rail with stainless steel insert (upgraded)
- High performance UV resistant exterior gelcoat
- Balsa cored bulkheads and floors
- Hand laid unidirectional fiberglass with balsa cored hull, deck and flybridge
- Solid fiberglass laminate keel, chines and hull penetration areas
- Blister resistant gelcoat under the waterline

Exclusions

Owner's personal belongings.

Disclaimer

The Company offers the details of this vessel or yacht in good faith but cannot guarantee or warrant the accuracy of this information nor warrant the condition of the vessel. A buyer should instruct his representatives, agents, or his surveyors, to investigate such details as the buyer desires validated. This vessel or yacht is offered subject to prior sale, price change, or withdrawal without notice.

PHOTOS



Salon



Salon



Salon



Salon



Dining



Dining



Dining



Galley



Galley



Galley



Galley



Galley



Dinette



Dinette



Dinette



Dinette



Day Head



Master Stateroom



Master Stateroom



Master Stateroom



Master Stateroom



Master Stateroom



Master Stateroom



Master Stateroom



Master Head



Master Head

Master Head



Master Head



Master Head



Port Guest Stateroom



Port Guest Stateroom



Port Guest Stateroom



Port Guest Stateroom



Port Guest Head



Port Guest Head



Starboard Guest Stateroom



Starboard Guest Stateroom



Starboard Guest Stateroom



Starboard Guest Stateroom



Starboard Guest Head



Starboard Guest Head



Starboard Guest Head



Forward Stateroom



Forward Stateroom



Forward Head



Forward Port Stateroom



Forward Port Stateroom



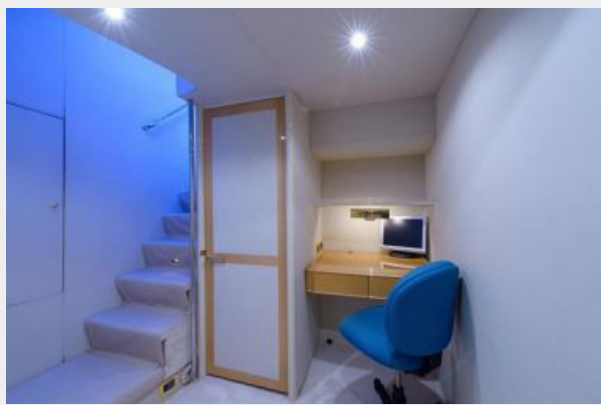
Forward Port Stateroom



Forward Port Head



Office



Office



Office



Aft Deck



Aft Deck



Aft Deck



Aft Deck



Skylounge



Skylounge



Skylounge



Skylounge



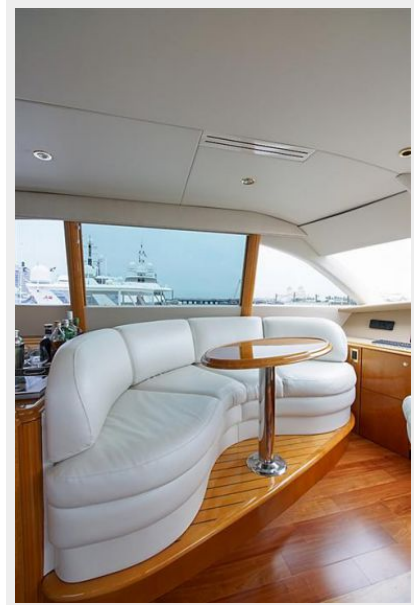
Skylounge



Skylounge



Skylounge



Skylounge



Skylounge



Skylounge



Skylounge



Skylounge



Skylounge



Bow



Bow



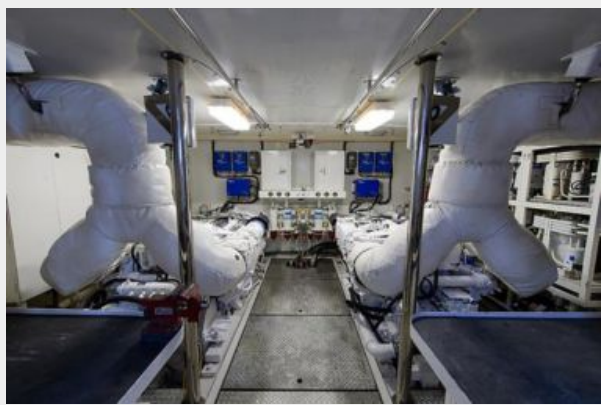
Bow



Bow



Engine Room



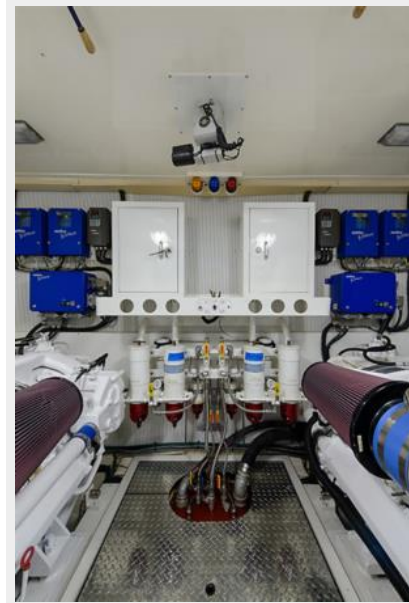
Engine Room



Engine Room



Engine Room



Engine Room



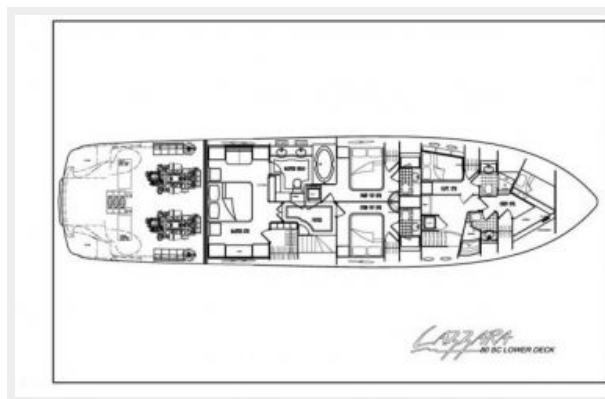
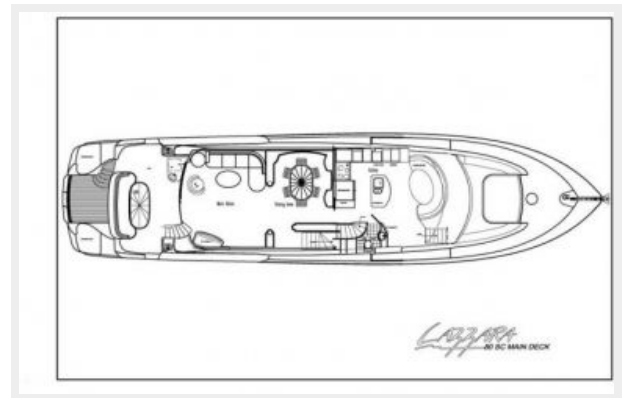
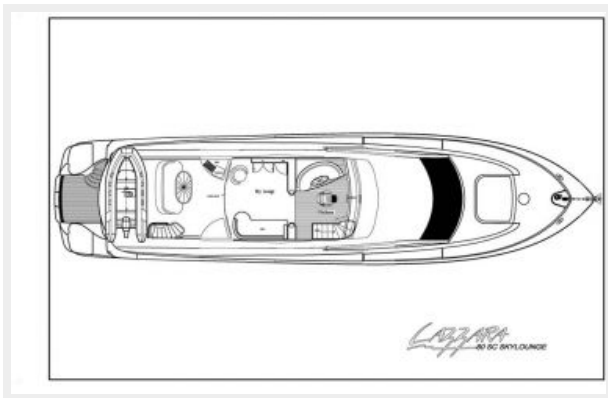
Engine Room



Engine Room



Engine Room



CONTACTS

Andrey Shestakov, leading yacht broker of the sales department of Shestakov Yacht Sales Inc. Shestakov Yacht Sales Inc., the official representative of the Miami/Fort Lauderdale FL headquarters.

Contact details

Email: andrey@shestakovyachtsales.com

Web: shestakovyachtsales.com/en/

Telephones

USA: +1(954)274-4435

Office hours

Monday – Saturday: **9:00 - 21:00** EDT

Sunday: **closed**

Address



Harbour Towne Marina, 850 NE 3rd St,
STE 213, Dania, FL 33004