

2006 CONTENDER 21 OPEN — CONTENDER



Builder: CONTENDER

Year Built: 2006

Model: Center Console

Price: PRICE ON APPLICATION

Location: United States

LOA: 21' 3" (6.48m)

Beam: 8' 3" (2.51m)

Min Draft: 1' 6" (0.46m)

Our experienced yacht broker, Andrey Shestakov, will help you choose and buy a yacht that best suits your needs 2006 Contender 21 Open — CONTENDER from our catalogue. Presently, at Shestakov Yacht Sales Inc., we have a wide variety of yachts available on our sale's list. We also work in close contact with all the big yacht manufacturers from all over the world.

If you would like to buy a yacht 2006 Contender 21 Open — CONTENDER or would like help answering any questions concerning purchasing, selling or chartering a yacht, please call +1(954)274-4435

TABLE OF CONTENTS

TABLE OF CONTENTS	2
SPECIFICATIONS	4
Overview	4
Basic Information	4
Dimensions	4
Speed, Capacities and Weight	4
Hull and Deck Information	4
Engine Information	5
DETAILED INFORMATION	6
Overview	6
Exclusions	6
Disclaimer	6
PHOTOS	7
2	7
3	7
5	7
4	7
6	7
7	7
8	8
9	8
11	8
10	8
12	8
13	8
14	9
15	9
16	9

17	9
19	9
18	9
20	10
21	10
23	10
22	10
25	11
24	11
26	11
27	11
CONTACTS	12
Contact details	12
Telephones	12
Office hours	12
Address	12

SPECIFICATIONS

Overview

New Listing!! More Pictures coming soon!2006 Contender 21' Open! Powered by a Yamaha 200 HP HPDI. This a clean low hour, one owner boat!Features include T-top with shade extender and an electronics box. Raymarine E120 GPS/Plotte, Sounder, Oversized bait well, Lenco trim tabs and a Loadmaster tandem-axle aluminum trailer!Make an appointment today to see this great boat! Appointments available 7 days a week!!

Basic Information

Category: Center Console

Model Year: 2006

Year Built: 2006

Country: United States

Dimensions

LOA: 21' 3" (6.48m)

Beam: 8' 3" (2.51m)

Min Draft: 1' 6" (0.46m)

MFG Length: 21' 0" (6.40m)

Speed, Capacities and Weight

Displacement: 2300 Pounds

Fuel Capacity: 90 Gallons

Hull and Deck Information

Hull Material: Fiberglass

Hull Configuration: Deep Vee

Engine Information

Engines: 1

Manufacturer: Yamaha

Model: Z200TXRD

Engine Type: Outboard

Fuel Type: Gas

DETAILED INFORMATION

Overview

Manufacturer Provided Description

She's small, but when it comes to taking the waves head-on, she packs a mighty punch. Big boat attitude in a small easy package describes the 21 in perfect detail. We've taken the same high-tech boat building techniques used for the rest of the Contender fleet and incorporated them here, including the wave busting 24.5 degree hull design that makes all Contenders such a great ride. The cockpit is open and uncluttered, giving you plenty of fish fighting room. A 30 gallon live-well and built-in 90 gallon fuel tank are standard. Its console provides plenty of room for electronics and a removable transom gate allows access to the integral swim platform and starboard. Also included is a recessed bow rail along with a forward anchor locker. Easy to maintain and trailer, your 21' will provide you with years of family fun and offshore memories.

Mechanical Engine Make - Yamaha Year - 2004 Model - Z200TXRD Horse Power - 200 Hours - Approximately 5 Since New Power Head Propeller - Stainless Steel 3 Blade Trim Tabs-Lenco with Tab Indicator Standard Features-Recessed Stainless Bow Rails-Trim Tabs-Stainless Steering Wheel-Compass-Center Console Rod Storage-Gunnel Wall Rod Storage-Rear Transom Storage Box-Under Center Console Storage Box-Anchor Storage Box-Insulated Fish Box-Reticulating Live well Additional Features-Black Canvas T-Top w/ Sealed Electronics Box-Leaning Post w/ Under seat Storage Box and Rod Storage on Back Rest-Dual Marine Batteries with Perko Switch-Salt Water Wash Down Pump with Hose-T-Top Life Jacket Bag w/ Jackets-T-Top Shade Extender-T-Top Rocket Launcher-Oversized Above Deck Baitwell-Loadmaster Tandem Axle Aluminum I Beam Trailer

Exclusions

Owner's personal belongings.

Disclaimer

The Company offers the details of this vessel or yacht in good faith but cannot guarantee or warrant the accuracy of this information nor warrant the condition of the vessel. A buyer should instruct his representatives, agents, or his surveyors, to investigate such details as the buyer desires validated. This vessel or yacht is offered subject to prior sale, price change, or withdrawal without notice.

PHOTOS

2



3



4



5



6



7



8



9



10



11



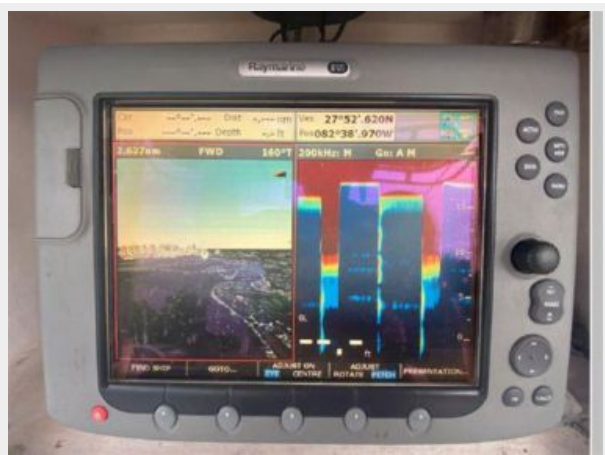
12



13



14



15



16



17



18



19



20



21



22



23



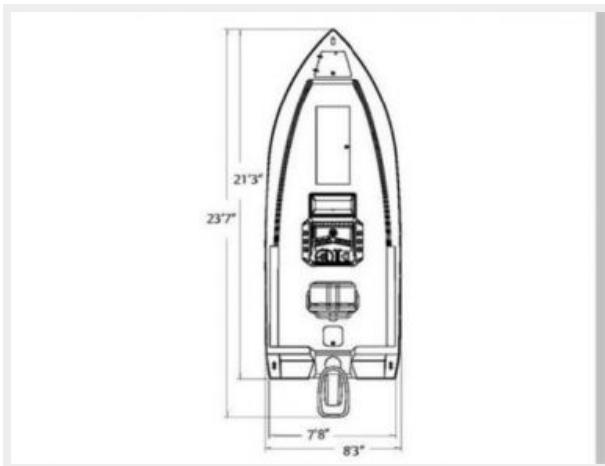
24



25



26



27



CONTACTS

Andrey Shestakov, leading yacht broker of the sales department of Shestakov Yacht Sales Inc. Shestakov Yacht Sales Inc., the official representative of the Miami/Fort Lauderdale FL headquarters.

Contact details

Email: andrey@shestakovyachtsales.com

Web: shestakovyachtsales.com/en/

Telephones

USA: +1(954)274-4435

Office hours

Monday – Saturday: **9:00 - 21:00** EDT

Sunday: **closed**

Address



Harbour Towne Marina, 850 NE 3rd St,
STE 213, Dania, FL 33004